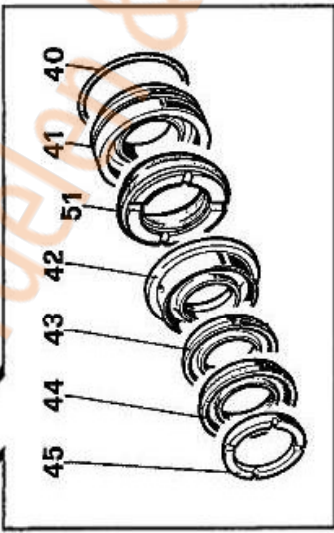


* Fissare con Loctite 270 col. VERDE
 * Affix with Loctite 270 col. GREEN
 * Fixer avec de la Loctite 270 couleur VERT
 * Mit Loctite 270 GRÜN befestigen
 * Fijar con Loctite 270 col. VERDE
 * Fixar com Loctite 270 cor. VERDE

** Fissare con Loctite 542 col. ROSSO
 ** Affix with Loctite 542 col. RED
 ** Fixer avec de la Loctite 542 couleur ROUGE
 ** Mit Loctite 542 ROT befestigen
 ** Fijar con Loctite 542 col. ROJO
 ** Fixar com Loctite 542 cor. VERMELHA





W97 - W112 - W124 - W130
W140 - W150 - W154 - W170
W200 - W204 - W950 - W951
W952 - W953 - W954 - W955
W956 - W957 - W958 - W959
W14200 - W16180 - WW116
WW136 - WW156 - WW176
WW186 - WW189 - WW206
WW209 - WW960 - WW961 - WW962

KIT RICAMBI – SPARE KITS

KIT Nr.	KIT 23	KIT 123	KIT 124	NICKEL KIT 158	PISTONE- PISTON Ø15			PISTONE- PISTON Ø18						
Posizioni include Positions included	17	4 - 5 6 - 7 8 - (11)	9 - 10	9 - 10	KIT 88	KIT 89	KIT 90	KIT 125	KIT 130	KIT 126	KIT 127	KIT 128	KIT 129	KIT 131
Nr. Pcs.	3	6	6	6	3	3	6	3	1	3	3	3	6	1

	PISTONE – PISTON Ø15		PISTONE – PISTON Ø18	
	COD.	DESCRIZIONE – DESCRIPTION - KIT	COD.	DESCRIZIONE – DESCRIPTION - KIT
OTTONE BRASS	W130 - W150 - W170 W950 - W951 - W952 W953 - WW116 - WW136 WW176 - WW186 - WW189 - WW206 WW209 - WW960 - WW961 - WW962		W97 - W112 - W124 W140 - W154 - W954 W955 - W956 - W957 W958 - W959	
NICKEL	W200 - W204 W14200 - W16180			

POS	COD.	DESCRIZIONE – DESCRIPTION - KIT	NR
13	50.1500.74	Coperchio carter	2
14	44.2118.01	Distanziale con indicatore	1
15	90.4097.00	OR Ø 55.56x3.53 (159)	1
16	91.8331.00	Cuscinetto a sfere 6305 – Spec.	2
17	90.1614.00	Anello rad. Ø 20x30x5	23 3
18	44.0100.22	Carter pompa	1
19	98.2103.00	Tappo carico olio G 3/8"	1
20	44.0200.35 44.0203.35	Albero C.9.5 – WW186 WW206 Albero C.11 – W112 W140 W150 W950 W954 W955 W956 WW116 WW156 WW209 W200 W14200	1
	44.0205.35 44.0206.35	Albero C.12 – WW189 Albero C.13 – W97 W124 W130 W154 W170 W951 W952 W953 W957 W958 W959 WW136 WW176 W204 W16180	
21	91.4892.00	Linguetta 8x7x35 UNI 6604	1
22	44.0500.66	Guida pistone	3
23	44.0300.22	Biella	3
24	90.3920.00	OR Ø 101.27x2.62 (3400)	1
25	44.1600.22	Coperchio posteriore	1
26	99.1837.00	Vite M6x14 UNI 5931	5
27	90.3585.00	OR Ø 10.82x1.78 (2043)	1
28	98.2042.50	Tappo G 1/4"x9 TE17 – Zinc.	1
29	97.7340.00	Spinotto Ø 10x29.5	3
30	96.7350.00	Rosetta Ø 16x27x1.7/0.7	3
31	90.5022.00	Anello antiest. Ø 6.2x9x1.5	3

POS	COD.	DESCRIZIONE – DESCRIPTION - KIT	NR
1	44.1200.41 44.1204.41 44.1207.41	Testata Ø 15 Testata Ø 18 Testata Ø 18 – NICKEL	1
2	99.3175.00	Vite M8x60 UNI 5931	8
3	96.7014.00	Rosetta Ø 8.4x13x0.8	8
4	90.3841.00	OR Ø 17.13x2.62 (3068)	6
5	36.2003.66	Sede valvola	123 6
6	36.2001.76	Valvola	123 6
7	94.7376.00	Molla Ø 9.4x14.8	123 6
8	36.2025.51	Guida valvola	123 6
9	90.3847.00	OR Ø 20.24x2.62 (3081) 90 Sh. 124-158	6
10	98.2226.00 98.2225.00	Tappo M24x1.5x17 Tappo M24x1.5x17 – NICKEL	124 6 158 6
11	36.7115.01	Gruppo valvola aspiraz./mand.	123 6
12	99.1807.00	Vite M6x10 UNI 5739	8

POS	COD.	DESCRIZIONE – DESCRIPTION - KIT	NR
32	90.3572.00	OR Ø 5.28x1.78 (2021) – Spec.	3
33	52.0400.09 44.0401.09	Pistone Ø 15 Pistone Ø 18	3
34	44.2115.70	Rosetta Ø 8 con collare	3
35	92.2216.00	Dado M8x13x5 - INOX	3
36	90.1641.00	Anello rad. Ø 25x62x10	1
37	50.2000.74	Piedino	2
38	96.7016.00	Rosetta Ø 8.4 UNI 1751	4
39	99.3037.00	Vite M8x16 UNI 5739	4
40	90.3612.00	OR Ø 31.47x1.78 (2125)	125-126 130-131
41	44.0800.70 44.0801.70	Anello di fondo Ø 15 Anello di fondo Ø 18	125-130 126-131
42	52.2166.70 44.2161.70	Anello intermedio Ø 15 Anello intermedio Ø 18	89-130 128-131
43	90.2622.00 90.2683.00	Anello RESTOP Ø 15 Anello RESTOP Ø 18	88-130 127-131
44	90.2620.00 90.2682.00	Anello tenuta Ø 15 HP Anello tenuta Ø 18 HP	88-130 127-131
45	51.1000.51 44.1001.51	Anello di testa Ø 15 Anello di testa Ø 18	90-130 129-131
46	98.2100.00	Tappo G 3/8"x13	1
47	98.2176.00	Tappo G 1/2"x10	1
48	96.7380.00	Rosetta Ø 17.5x23x1.5	1
49	96.7514.00	Rosetta Ø 21.5x27x1.5	1
50	98.1966.00	Tappo G 1/8"x8	1
51	90.2617.00 90.2684.00	Anello tenuta Ø 15 LP Anello tenuta Ø 18 LP	88-130 127-131